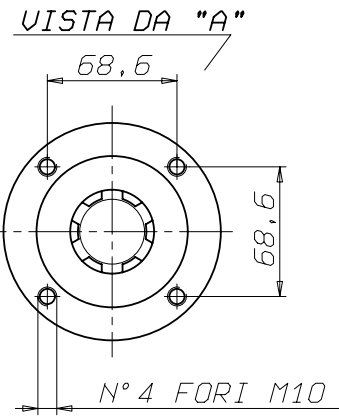
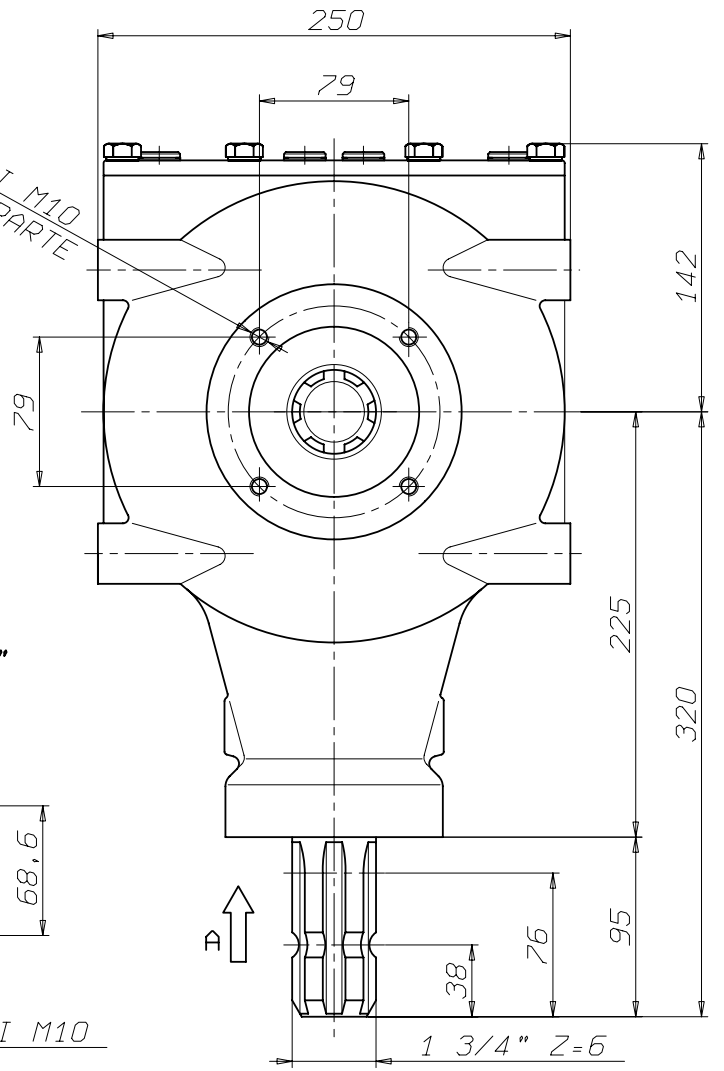



N° 8 FORI M10  
N° 4 PER PARTE



**WARNING!**

ROTATING SHAFTS MARKED  ARE NOT SHIELDED. ANY SHAFT AND COUPLING NOT GUARDED BY LOCATION MUST BE SHIELDED BY AN INTERACTIVE GUARDING SYSTEM. BONDOLI & PAVESI DECLINES RESPONSIBILITY IF PROPER GUARDS ARE NOT PROVIDED AND MAINTAINED.

MONTAGGIO  
GEAR ARRANGEMENTS  
ART DER MONTAGE  
MONTAGE

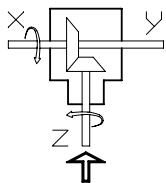
PESO  
WEIGHT  
GEWICHT  
POIDS

TIPO  
TYPE  
TIP  
**2081**

CLIENTE  
CLIENT  
CUSTOMER  
KUNDE

DATA :  
**17/12/02**

VISTO :  
**A.Magotti**



RAPPORTO  
RATIO  
ÜBERS.-VERH.  
RAPPORT  
**1.93:1**

GIRI IN ENTRATA  
INPUT SPEED  
EINGANGSDREHZAHL  
TOURS EN ENTREE  
**540**

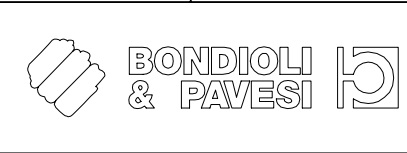
POTENZA IN ENTRATA  
INPUT POWER  
EINGANGSLEISTUNG  
PUISSANCE EN ENTREE  
**90 CV  
66 KW**

MODIFICHE - MODIFICATIONS - ANDERUNGEN - MODIFICACIONES

SOSTITUISCE  
REPLACE  
REPLACES  
ERSETZT

TIPO DI MACCHINA  
TYPE DE MACHINE  
TYPE OF IMPLEMENT  
MASCHINENTYPE

RIF. CLIENTE  
REF. CLIENT  
CUSTOMER REF.  
BEZUG KUNDE



MINIDISEGNO SCATOLA Codice :  
**52081193G222**